



# SR418

Short Range Remote Control

## User Manual



Genave / NRC, Inc.

[www.genave.com](http://www.genave.com)

[support@genave.com](mailto:support@genave.com)

Copyright 2017. Genave / NRC, Inc.

Tech. Publication No. 9000-0000-098 Rev 01



## **Warning**



If incorrectly used, this equipment can cause severe injury. Those who use and maintain the equipment should be trained in its proper use, warned of its dangers, and should read the manuals before attempting to set up, operate, adjust or service the equipment. Keep this manual for future reference.

# **Important Safety Information**

## **Installation & Service Precautions**



• Electrocutation, severe personal injury and damage to equipment can occur during installation or servicing this equipment. All electrical work should be performed by, or under the supervision of an experienced electrician and in accordance with all applicable electrical, fire, building and safety codes.

• You must test the system and equipment to insure it is operating correctly after the installation, as well as after any work has been performed.

## **System Operation**

• Training is necessary to ensure those responsible can correctly use the system. Periodic tests can serve to accomplish the training for the operators, in addition to verifying system readiness.

• You must carefully read and completely understand all the information about the system including its abilities and its limitations. Since no control system is infallible, you must have contingency plans for control, in the event the primary systems do not perform as expected, for any reason.

©2017, Genave/NRC, Inc.

## **SR418™ Hardware**

Phone 651-460-6616

Fax 651-460-6686

### **PRINTED IN USA**

The contents of this manual are the property of Genave/NRC, Inc. and are copyrighted. Any reproduction in whole or in part is strictly prohibited. For additional copies of this manual or software, please contact Genave/NRC, Inc.

### **Warranty:**

**Genave/NRC, Inc. products are warranted to be free from defects in material and workmanship for a period of ONE (1) year from the date of shipment. Genave, during this period, will repair or replace any parts, which upon our examination appear to be defective in materials or workmanship. This warranty does not apply to defects, malfunctions or breakage due to improper installation, servicing, handling or use thereof, nor to units that have been damaged by lightening or other “Acts of God”, excess current, reversed supply connection, nor to units that have had their serial numbers altered or removed. Equipment damaged in Acts of War, abuse, misuse, tampering, submersion or willful destruction will also void this warranty.**

**Prior to returning equipment for warranty repair, contact the Genave Customer Service Department for an RMA number. They can be reached by using the telephone number or fax number listed above. Genave/NRC, Inc. (Genave) and its licensors offer this warranty in lieu of any and all other guarantees or warranties, either express or implied, including without limitation the implied warranties of merchantability and fitness for a particular purpose, regarding hardware or software. Genave and its licensors do not warrant, guarantee or make any representations regarding the use or the results of the use of the software or hardware in terms of its correctness, accuracy, reliability, most recent or otherwise. You assume the entire risk as to the results and performance. The exclusion of implied warranties is not permitted by some jurisdictions. The above exclusion may not apply to you.**

In no event will Genave, its licensors, directors, officers, employees or agents (collectively Genave’s licensor) be liable to you for any consequential, incidental or indirect damages (including damages for loss of business profits, business interruption, loss of business information, and the like) arising out of the use or inability to use the software or hardware even if the Genave and/or its licensor has been advised of the possibility of such damages. Because some jurisdictions do not allow the exclusion or limitation of liability for consequential or incidental damages, the above limitations may not apply to you. Genave and its licensors liability to you for actual damages from any cause whatsoever, and regardless of the form of the action (whether in contract, tort, (including negligence), product liability or otherwise), are expressly excluded.

Genave reserves the right to make changes in specifications at any time and without notice. The information furnished by Genave is believed to be accurate and reliable, however, no responsibility is assumed by Genave for its use, nor infringements of patents or other rights of third parties resulting from its use. No license is granted under any patents or patent rights of Genave/NRC, Inc., its licensors or suppliers.

### **Life Support Policy:**

**Genave/NRC, Inc. products are not authorized for use as critical components in life support devices or systems without the express written approval of the president of Genave/NRC, Inc. As used herein:**

**1) Life support devices or systems are devices or systems which, (a) are intended for surgical implants into the body, or (b) support or sustain life, or whose failure to perform, when properly used in accordance with instructions, can reasonably be expected to result in a significant injury to the user.**

**2) Critical component is any component of a life support device or system whose failure to perform can be reasonably expected to cause the failure of the life support device or system, or to affect its safety or effectiveness.**

CSP, Communications Signal Processor, Genave Operating System, GOS, CSP-105, CSP-107, CSP-108, CSP-120, ALERT-600, SimpleRx and RXCPro are Trademarks of Genave/NRC, Inc. The Genave name and logo are Registered trademarks of Genave/NRC, Inc. Touch-

Other names used in this manual are trademarks of their respective companies.

# Short Distance Remote Control

## Table of Contents

- Product Overview .....5**
  - Basics ..... 5
  - FCC Requirements..... 5
- Keypad Transmitter.....6**
  - Battery replacement for Keypad Transmitter ..... 6
  - Setting the Transmitter Address ..... 7
- Handheld Transmitters.....8**
  - Battery replacement for 8 button transmitter ..... 8
  - Setting the Transmitter Address ..... 9
- Receiver.....10**
  - Pairing of Tx to Rx..... 11

## Product Overview

### **Basics**

The SR418 Control consists of a Transmitter unit and a Receiver unit which communicate on a frequency of 418MHz and have a range of up to 800 feet. When a button is pressed on the transmitter, a signal is sent to the receiver which then activates the corresponding output associated with the button. (ex. Button #2 is pressed on the transmitter, Output #2 activates on the receiver unit)

### **FCC Requirements**

The transmitter has been pre-certified for FCC Part 15 and Industry Canada license-exempt RSS standards for an intentional radiator. It has already been labeled in accordance with FCC, Industry Canada and CE regulations. Note: The transmitter is not authorized for use in EUROPE. Please contact Genave for use outside North America.

#### INSTRUCTIONS TO THE USER

This device complies with Part 15 of the FCC Rules and Industry Canada license- exempt RSS standard(s). Operation of this device is subject to the following two conditions:

1. This device may not cause harmful interference, and
2. This device must accept any interference received, including interference that may cause undesired operation.

This equipment has been tested and found to comply with the limits for a Class B digital device, pursuant to Part 15 of the FCC Rules. These limits are designed to provide reasonable protection against harmful interference in a residential installation. This equipment generates, uses and can radiate radio frequency energy and, if not installed and used in accordance with the instructions, may cause harmful interference to radio communications. However, there is no guarantee that interference will not occur in a particular installation. If this equipment does cause harmful interference to radio or television reception, which can be determined by turning the equipment off and on, the user is encouraged to try to correct the interference by one or more of the following measures:

- Reorient or relocate the receiving antenna.
- Increase the separation between the equipment and receiver.
- Connect the equipment into an outlet on a circuit different from that to which the receiver is connected.
- Consult the dealer or an experienced radio / TV technician for help.

The user is cautioned that changes and modifications made to the equipment without the approval of manufacturer could void the user's authority to operate this equipment.

Le présent appareil est conforme aux CNR d'Industrie Canada applicables aux appareils radioexempts de licence. L'exploitation est autorisée aux deux conditions suivantes : (1) l'appareil ne doit pas produire de brouillage, et (2) l'utilisateur de l'appareil doit accepter tout brouillage radioélectrique subi, même si le brouillage est susceptible d'en compromettre le fonctionnement.

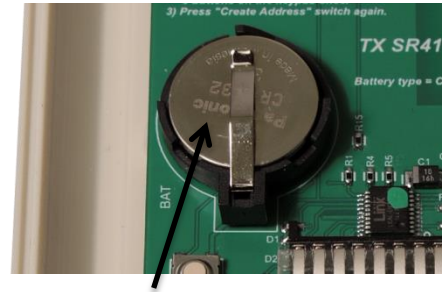
## Keypad Transmitter

The SR418 receiver can be matched with a single or multiple Keypad transmitters.



### *Battery replacement for Keypad Transmitter*

The transmitter utilizes a standard CR2032 lithium button cell. In normal use, it provides **1 to 2 years** of operation. To replace the battery, **remove rear** of the enclosure. Once the unit is open, remove the battery by sliding the battery out of its holder.



CR2032 Battery



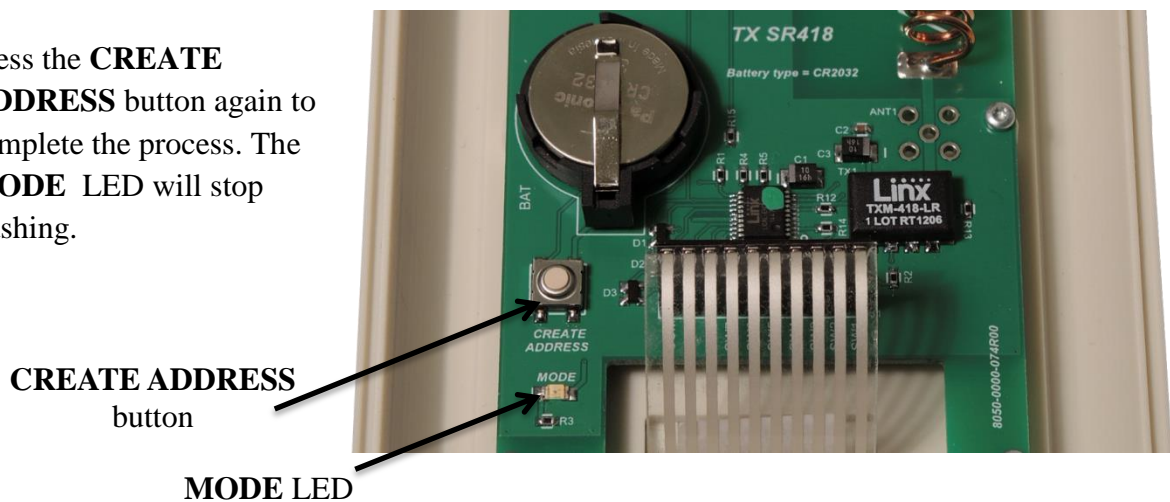
4 Screws

## Setting the Transmitter Address

The Long-Range Handheld Transmitter allows the selection of one of 16,777,216 unique addresses. All transmitters are shipped with a unique address to avoid contention with other units; however, the address can be changed.

- 1) To change the address: Press the **CREATE ADDRESS** button. While the **MODE** LED flashes, press each of the 8 buttons on the keypad once. Any buttons not pressed during this step will be ignored by the transmitter and have no function.

- 2) Press the **CREATE ADDRESS** button again to complete the process. The **MODE** LED will stop flashing.



The keypad now has a completely new address. Each SR418 receiver will need to be paired with this new address. The decoder needs to learn the address of the transmitter before it will accept its transmissions.

Please refer now to **“Pairing of TX to RX”**

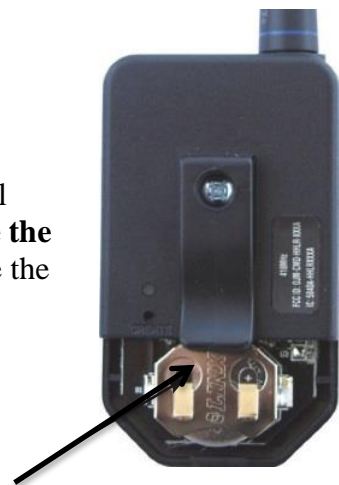
## Handheld Transmitters

The SR418 receiver can be matched with a single or multiple handheld transmitters. The transmitters can have 1, 2, 3, 4, 5 or 8 buttons and be of a short range keyfob style or long range handheld style.



### *Battery replacement for 8 button transmitter*

The transmitter utilizes a standard CR2032 lithium button cell. In normal use, it provides **1 to 2 years** of operation. To replace the battery, **remove the access cover** by pressing firmly on the label area and sliding it off. Once the unit is open, remove the battery by sliding the battery out of its holder.



CR2032 Battery



## Setting the Transmitter Address

The Long-Range Handheld Transmitter allows the selection of one of 16,777,216 unique addresses. All transmitters are shipped with a unique address to avoid contention with other units; however, the address can be changed.

To change the address: Use a paper clip to press the **CREATE** button through the hole in the back of the case. An LED will light up in the **MODE** window, indicating that the address is being created. The address is randomized for as long as the button is held down.

Release the button and the randomized address is saved and the LED begins flashing to indicate that Button Permissions may now be set.

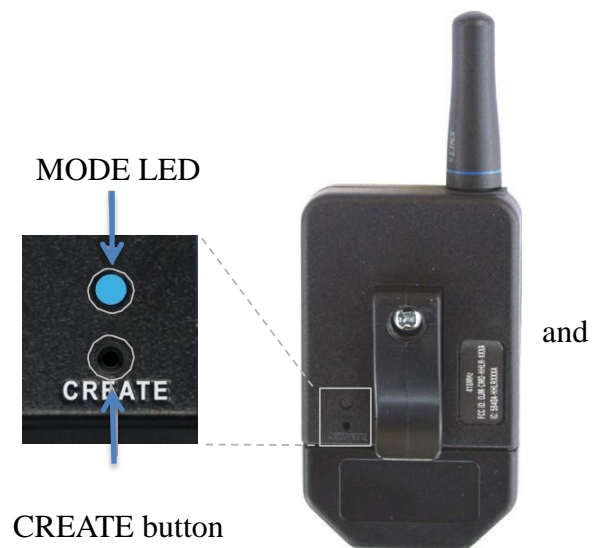
Press each of the buttons on the keypad that the transmitter is to send. Any buttons not pressed during this step will be ignored by the transmitter have no function.

Press the **CREATE** button again or wait 17 seconds for it the **MODE** window to time out.

The address and Button Permissions are now set.

The decoder needs to learn the address of the transmitter before it will accept its transmissions.

Please refer now to **“Pairing of TX to RX”**



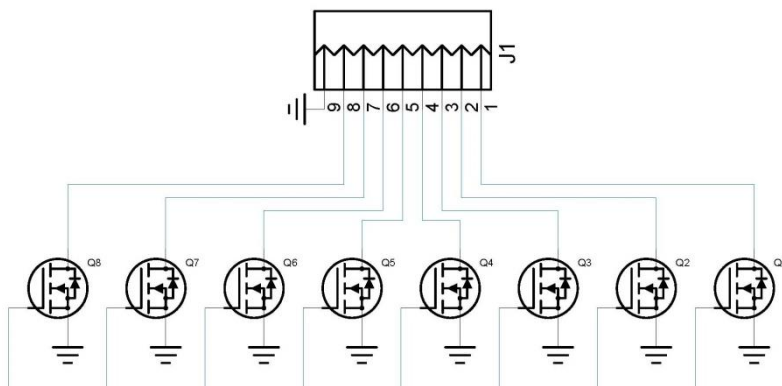
## Receiver

The SR418 receiver has 8 outputs which activate whenever the corresponding button is being pressed on the transmitter.

The power requirements for the SR418 receiver is 5 to 30VDC and 100mA maximum.

The SR418 is capable of remembering 40 unique transmitter addresses. If a 41<sup>st</sup> transmitter is added, the first transmitter address is overwritten.

The outputs of the SR418 are individual MOSFETS and each of the outputs can sink up to 200mA of current at a maximum voltage of 30Vdc.



## Pairing of Tx to Rx

To pair the receiver to a transmitter:

- 1) Press the “Learn” button on the receiver.
- 2) The “MODE” LED will start flashing.
- 3) While MODE flashes, press any button on the transmitter to send a signal.
- 4) Press LEARN again or wait 17 seconds. MODE will stop flashing.

The units are now paired and operational.

