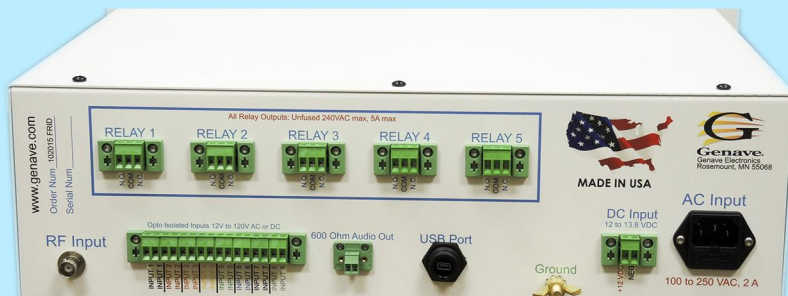


Fire Station Controller



Control

Lights • Doors • Kitchen •
Strobes • PA • Bells •
Sirens • Traffic Warning



Fire Station Controller

- Activates same time as pagers, or on individual command, or both
- Decrease response time
- Heartsafe MP3 audio on pre-alerts
- VHF or UHF receiver included
- Real-Time Clock - stamps & logs activations
- Zones. All-call, individual stations, rescue, fire, EMS.
- Independent timing and control of each relay

Additional Features

- Dispatch voice messaging
Interface to station amplifier
- Automatic reset
- Heavy-duty relays
- PA over-ride input
Mute or monitor all radio traffic
- Adjustable PA capture & hold
- Backlit status screen
- Surge protected remote inputs



Features:

Decoders

- ◆ DTMF
- ◆ Opt. Two-Tone

Inputs

- ◆ 8 Digital Inputs
- ◆ 8 Aux Inputs
- ◆ 4 Onboard Switches

Outputs

- ◆ 5 Relays
- ◆ 8 Digital/Xsistor
- ◆ 600 Ohm Audio
- ◆ Amplifier Control

Radio Interface

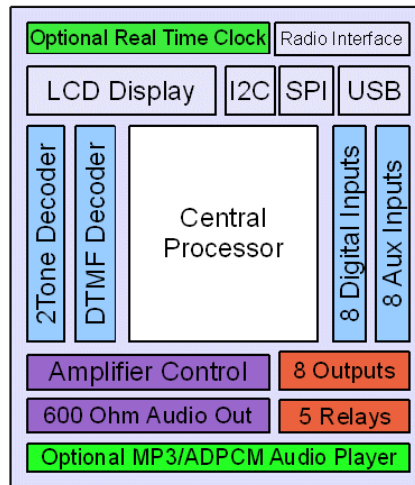
- ◆ UHF
- ◆ VHF
- ◆ LF SSD

Cabinet

- ◆ 19in Rack Mount
- ◆ 3 Up Height

Power

- ◆ AC 95V to 240V



Flexible Operation

5 heavy-duty relays with both N.O and N.C. contacts isolate & interface to applications.

Standard outputs

- Rly 1 - 10 minutes hold (lights)
- Rly 2 - 10 minutes cycle (flashing, horn, siren)
- Rly 3 - 5 second pulse (control circuit one)
- Rly 4 - 5 second pulse (doors, unlocks)
- Rly 5 - PA Live indicator

The outputs can be used for other purposes and timings can be adjusted in the field.

Switch the radio between Wideband and Narrowband modes w/Twist-n-Touch™ knob located inside the cabinet. Update RF and page codes with the same knob.

Radio messages can be directed through the optional PA amplifier control or with the standard 600 ohm port to alert & direct personnel with live voice feeds.

The MP3 module stores audio files which can deliver custom messages and alert signals. The audio files can deliver pre-recorded messages when the FSC is activated, or can deliver alert tones before automatically switching to PA.

General Specifications:

Enclosure Size	19 x 14 x 5.25	Inches
AC Power	95 to 240	Volts AC, 50 or 60 Hz
Output Relay Voltage/Current	250V / 6A (AC), 100V /5A (DC)	
RF Frequencies	VHF 148 - 174 MHz	UHF 450 - 490 MHz
Bandwidths (for both RF ranges)	Wide 25 kHz	Narrow 12.5 kHz
CTCSS and DCS Codes	All standard codes	
Digital Output Transistors	30V, 200mA maximum	
DTMF Decoder Speed min.	20 mSec Mark, 20 mSec Space	
DTMF String Length	16 codes, 32 characters per string	
2 Tone Decoder Range	280 Hz to 4000 Hz	
2 Tone Decoder Speed	600 mSec min, 25.5 Sec max	
2 Tone Strings	20 paging codes, 2-Tone or Group-call	

Optional Specifications:

Real Time Clock, DST	Automatic Daylight Savings Adjust
Real Time Clock, # of events	10 triggered events. Hourly, weekly, monthly
Real Time Clock, History	512 Stored history events
MP3 Audio msgs/sounds	98 voice msgs or sounds (up to 16GB)

